

Backlight Replacement Guide

Be sure to read the following Backlight Replacement Warnings before attempting to change your GP/GLC's backlights.

This replacement backlight package contains the following:

Model Name	Backlight Model
GP570-TC21-** Rev.E	GP577RT-BL00-MS
GP577R-TC**	
GLC300-TC**	
GP2500-TC**	

If this backlight is not appropriate for your GP or does not function correctly, please contact your local authorized GP representative.

WARNINGS

- Be sure the GP's power cord has been disconnected before changing the backlight. When the GP's power cord is connected and the GP is ON, high voltage runs through the wires in the backlight area - do not touch them!
- When the GP's power cord has just been disconnected, the backlight area is still very hot! Be sure to wear gloves to prevent being burned.
- The backlight is very fragile. Do not touch the glass tube directly or try to remove its power cord. If the glass tube breaks you may be injured.



- *Change the entire backlight unit, i.e. both the tube and holder.*
- *Do not allow water, oil or fingerprints to be left on the tube, since they can all reduce the backlight's life.*
- *This backlight is different from the GP-577RS unit's backlight. Be sure to use only the GP-577RT unit's (GP577RT-BL00-MS) backlight.*

◆ Package Contents

- Two (2) Replacement Backlights (Model:GP577RT-BL00-MS)
- Four (4) attachment screws (To be used if original screws are lost)

◆ Items Required When Changing The GP's Backlight

- Phillips screwdriver (no. 2) for GP's rear cover attachment screws.
- Phillips screwdriver (no. 0) for backlight unit's metal cover.
- One pair of clean (preferably new) cotton gloves.



SCIGATE AUTOMATION (S) PTE LTD
No.1 Bukit Batok Street 22 #01-01 Singapore 659592
Tel: (65) 6561 0488 Fax: (65) 6562 0588
Email: sales@scigate.com.sg Web: www.scigate.com.sg
Business Hours: Monday - Friday 8.30am - 6.15pm

■ Backlight Replacement

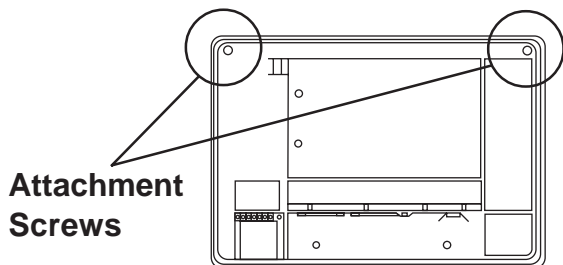
This unit has two backlights, one at the top and one at the bottom. The following explanation is for changing the top backlight. To change the bottom backlight, simply repeat the procedures shown here in the same order.



Note:

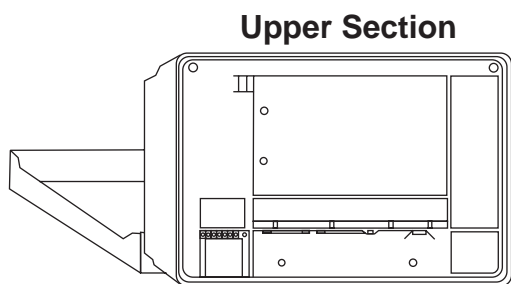
- The backlight unit mentioned in the previous information should be changed using the entire (i.e. bulb and holder) unit.
- Prepare a small container for the removed attachment screws to prevent them from becoming lost or misplaced.

■ GP570, GP577R, GLC300



**Attachment
Screws**

- 1) Turn the GP's power OFF (i.e. disconnect the GP's power cord). Use a Phillips screwdriver to remove the case's two (2) rear attachment screws, and pivot the rear cover open, starting from the top of the unit.



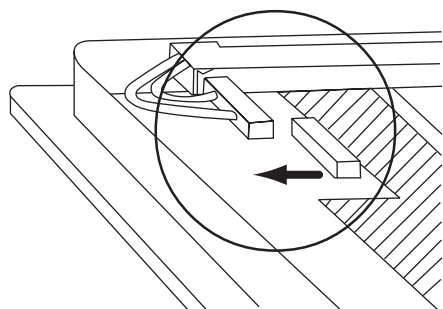
Upper Section

Lower Section

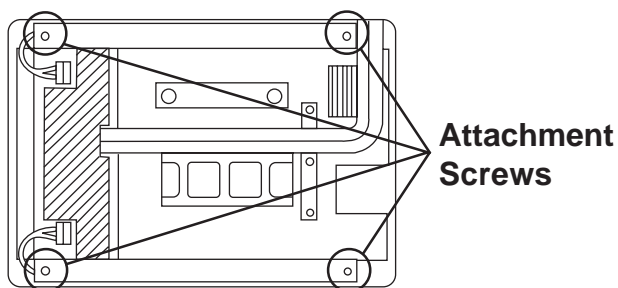
- 2) The cover is fastened at the bottom, and hinges open from the top.



The rear cover cannot be completely removed. If you attempt to remove it, you may break the cover.



- 3) Disconnect the upper backlight's power connector.

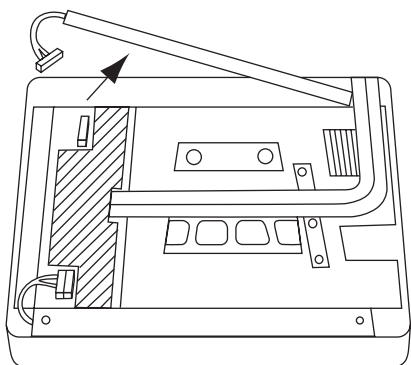


**Attachment
Screws**

- 4) Unscrew the upper and lower backlight holder attachment screws, and remove the upper backlight unit's metal cover.



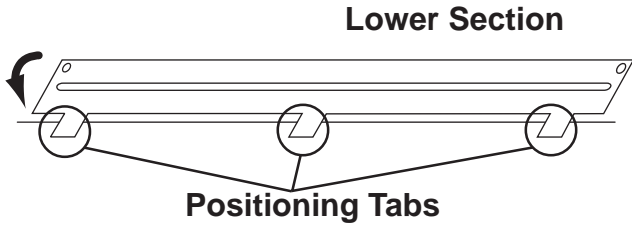
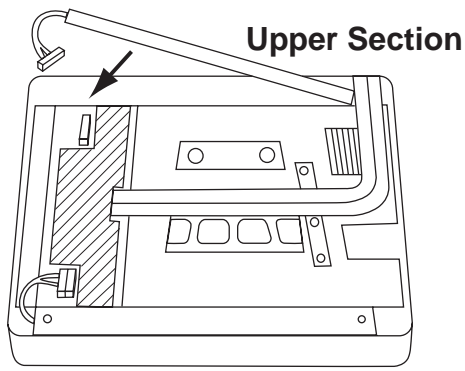
Since the attachment screws are small, be sure not to lose them or allow them to fall inside the GP's case.



- 5) Remove the old backlight.



When the GP's power has just been turned OFF, the circuit board chasis is still very hot! Be sure to wear gloves to prevent being burned.



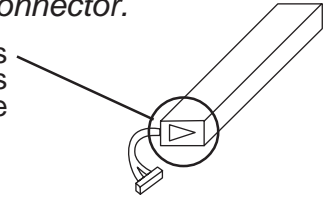
Positioning Tabs

6) Insert the new backlight into the GP/GLC.



The GP's upper and lower backlights are different. Be sure to confirm that the backlight you are replacing is the correct unit by looking at the side of the backlight connector.

If the backlight has an arrow here, it is used only for the upper backlight.



7) Insert the metal cover's three (3) positioning tabs into the backlight holder's positioning slots. Next, insert and tighten the cover's two (2) attachment screws.

8) Reattach the backlight unit's power connector. Repeat these steps for the GP's bottom backlight unit.

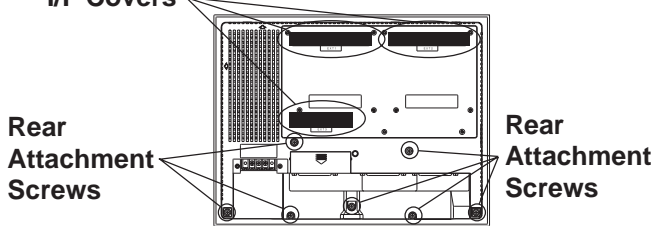
9) After both backlight units are changed and the power connectors reattached, close the rear case and reattach the case's two (2) attachment screws.



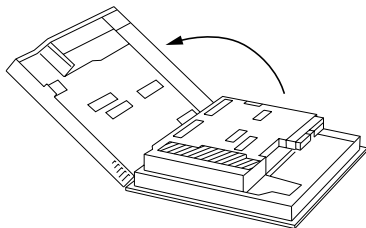
- Be sure not to pinch or cut any of the GP's internal wiring when closing the case.
- If an attachment screw becomes lost, check that it has not fallen inside the GP. If a screw has fallen inside the GP, do not connect the GP's power cord.

■ GP2500T

I/F Covers



1) Turn the GP's power OFF (i.e. disconnect the GP's power cord). Remove the three (3) I/F covers, and use a Phillips screwdriver to remove the case's seven (7) rear attachment screws. Pivot the rear cover open, starting from the top of the unit.

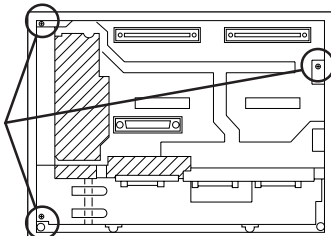


2) The cover is fastened at the bottom, and hinges open.

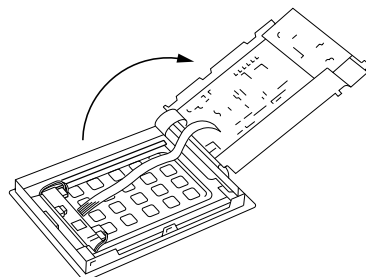


Be sure not to break the rear cover's four (4) alignment tabs when you open it.

Attachment Screws



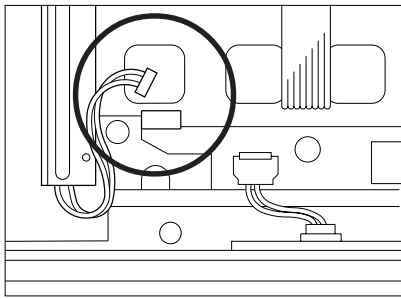
3) Loosen the three (3) circuit board attachment screws.



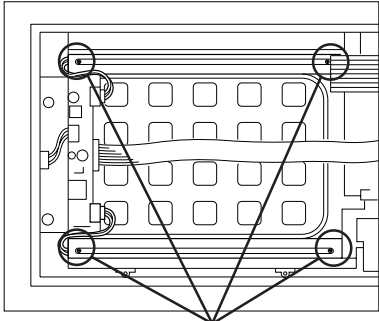
4) The circuit board is attached on one side, and hinges open.



When the GP's power has just been turned OFF, the circuit board chassis is still very hot! Be sure to wear gloves to prevent being burned.



3) Disconnect the upper backlight's power connector.



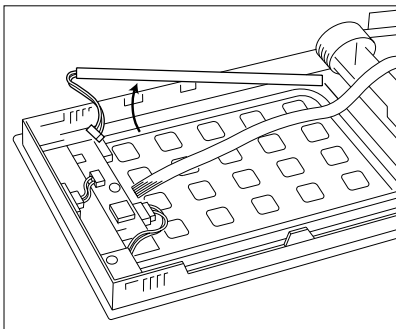
4) Loosen the upper and lower backlight holder attachment screws, and remove the upper backlight unit's metal cover.



Since the attachment screws are small, be sure not to lose them or allow them to fall inside the GP's case.

Attachment Screws

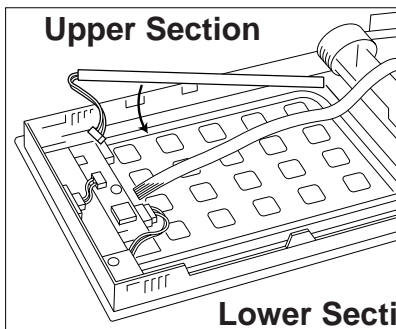
5) Remove the old backlight.



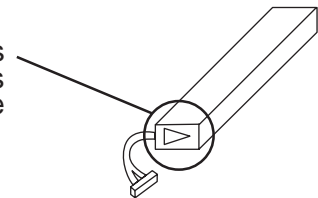
6) Insert the new backlight.



The GP's upper and lower backlights are different. Be sure to confirm that the backlight you are replacing is the correct unit by looking at the side of the backlight connector.

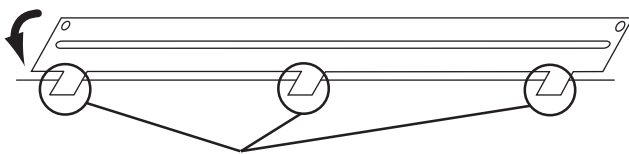


If the backlight has an arrow here, it is used only for the upper backlight.



Lower Section

7) Insert the metal cover's three (3) positioning tabs into the backlight holder's positioning slots. Next, insert and tighten the cover's two (2) attachment screws.



Positioning Tabs

8) Reattach the backlight unit's power connector. Repeat these steps for the GP's bottom backlight unit.

9) After both backlight units are changed and the power connectors reattached, close the rear case and reattach the case's two attachment screws.



- Be sure not to pinch or cut any of the GP's internal wiring when closing the case.
- If any of the attachment screws becomes misplaced, check to be sure that they have not fallen inside the GP. If a screw has fallen inside the GP, do not connect the unit's power cord.

After changing both backlights, be sure to check that screen operates correctly. If a problem occurs, contact your local GP distributor.